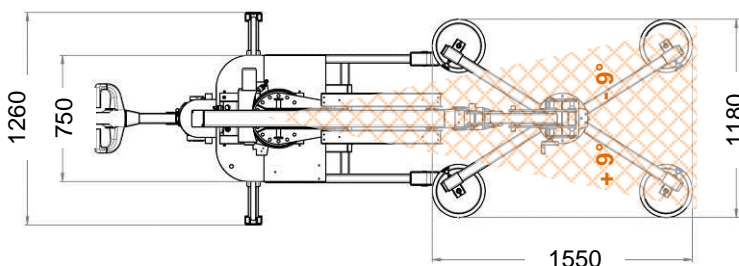
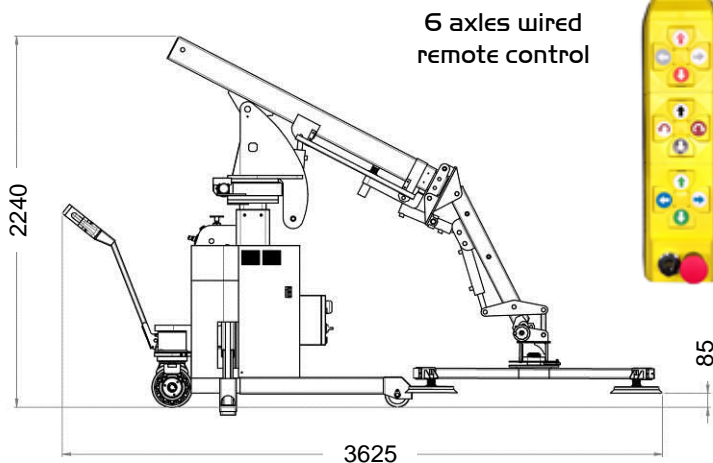
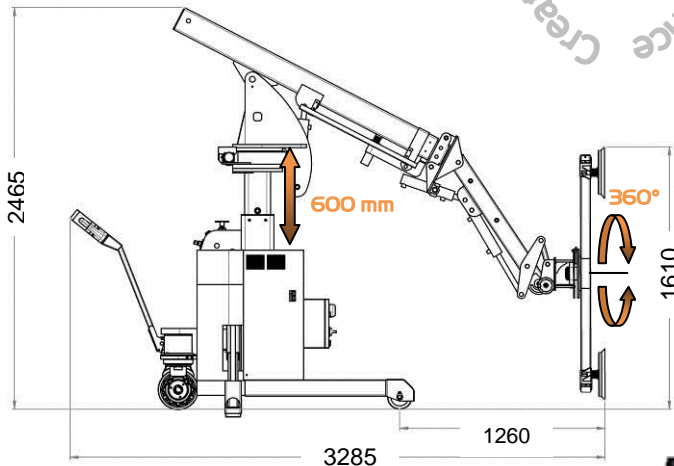


Patented model



### Technical characteristics



- Maximal load (WITH jib&vacuum lifting beam) ..... 300 kg
- Maximal load (WITHOUT jib&vacuum lifting beam)... 995 kg
- Unladen weight (WITH jib&vacuum lifting beam)... 1250 kg
- Traction batteries ..... 24V – 180 Ah
- Hydraulic power station engine ..... 2.2kW
- Translation power engine ..... 0,7 kW

### Standard equipment

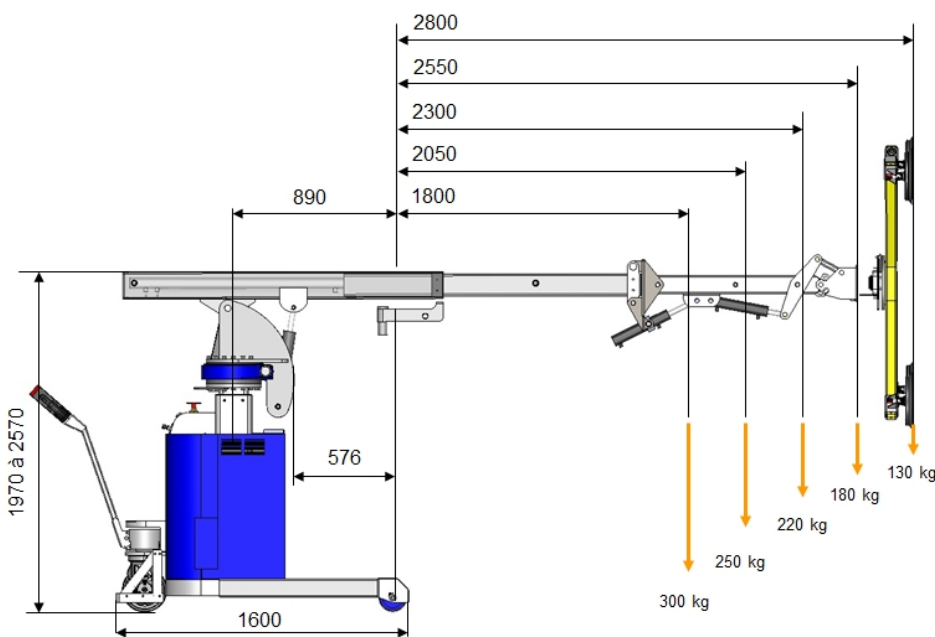
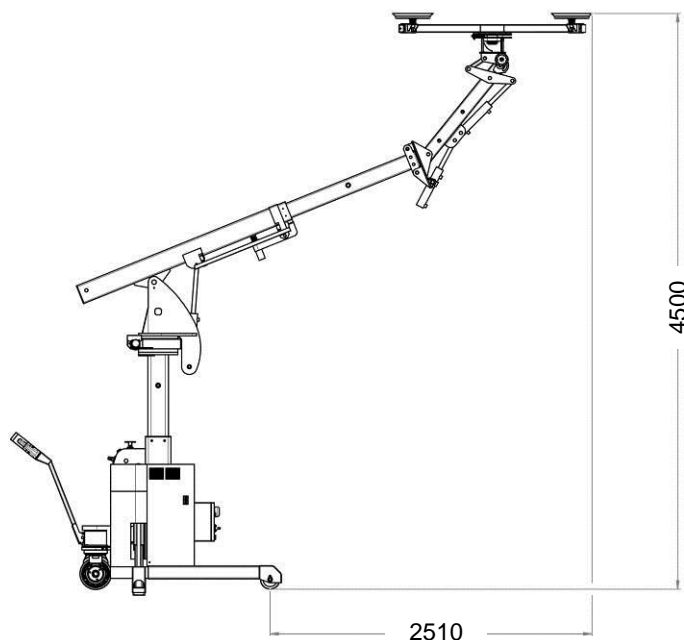
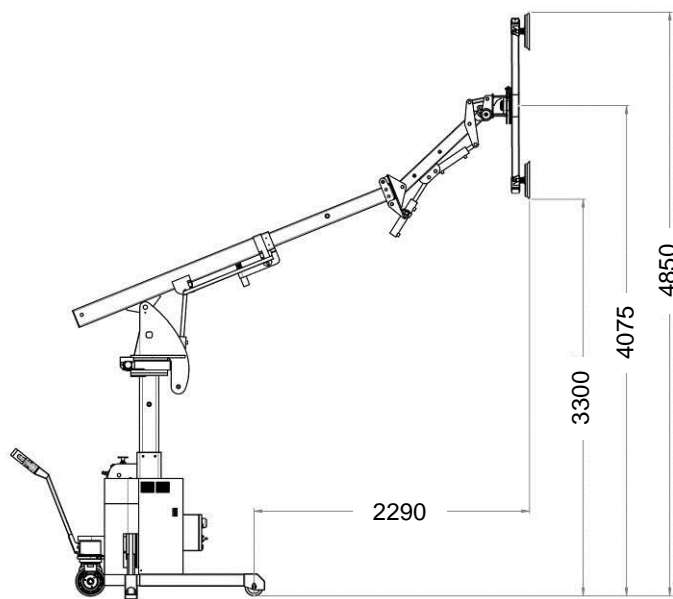
- Hydraulics stabilizers
- Hydraulic rotary mast 180°
- Hydraulic inclination of the jib by double acting jack
- Hydraulic vertical mast stroke 600mm
- Hydraulic telescope
- Electric traction with variable speed drive
- Tiller with accelerator and Emergency Reverse
- 6 axes wired remote control with emergency stop
- Hour meter and battery charge indicator
- Vulkollan coating wheels or equivalent
- Hydraulic & electric safety devices
- Anti-tilt system

### Options

- Hydraulic articulated jib
- Adjustable 4 devices(Ø340) vacuum lifting beam 300kg
- With vacuum generation unit

# Technical sheet I2MO S180 H+I20 BPV

Self-propelled mini-crane with accompanying operator



**Convertible into mini cranes**  
Maximal load 1000 kg  
Rotation 180°

(see technical sheet I2MO Evolutive S180 v2)

