

Technical sheet 20MT 3x1

Self-propelled mini-crane with accompanying operator

2 pages

The 20MT 3x1 is a **variable wheelbase crane**, ideal to realize all kind of work in confined spaces.

Its **patent kinematic with three cylinders**, manufactured by MOBILEV CRANES allows to spread the jib with a biggest angle.

The « **18° slewing ring** » option without stabilizers is now available for this new model. The hook's lateral adjustment could also operate without moving the mini-crane.

The 20MT could also integrate the «**hydraulic winch**» option and the «**proportional control**» option. With the «**proportional control**» option all the speeds are now adjustable from 0 to 100% with the wired remote control or radio remote control (option).



Technical specifications



Maxi load	2160 kg
Unladen weight (without options)	1500 kg
Admissible slope	10 %
Maxi translation speed	5 km/h
Adjustable lifting speed	0 to 15 cm/s
Adjustable telescoping speed	from 0 to 13 cm/s
Traction batteries	24V - 240 Ah
Hydraulic power station engine	2.2 kW
Translation power engine	1.7 kW
4 front wheels PU (*)	Ø 200x50 mm
1 rear wheel (*).....	Ø 260x101 mm

Standard equipment

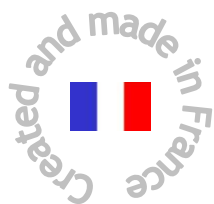
Hydraulic variable wheelbase
 Electrical drive wheel controlled by variable speed drive
 Tiller arm with butterfly acceleration & emergency Reverse
 Automatic braking system
 Automatic parking brake
 Anti-tilt system
 Wired remote control 3 or 5 axes with emergency stop
 Box for equipment
 Interchangeable traction batteries

Mandatory options

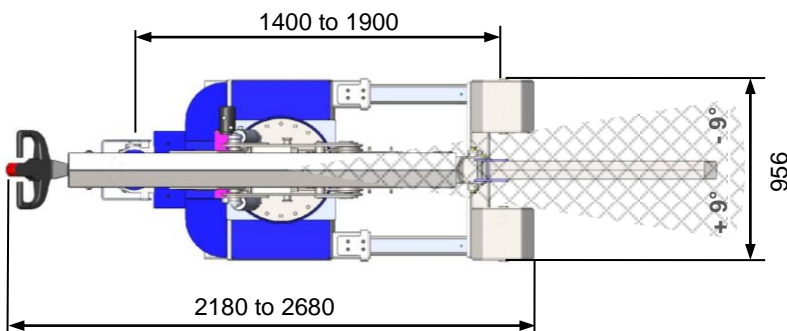
(**) 2 speed control or proportional control
 External battery charger or internal battery charger

Elective options

Additional jib 500 kg
 Hydraulic winch 1000/2000 Kg
 Manual telescopic jib 500/350 kg
 Manual telescopic jib 350/250 kg
 18°hydraulic slewing ring
 Radio remote control



Variable wheelbase



(*) Non-marking polyurethane / Hydraulic power pack with (**)

Technical sheet 20MT 3x1

Self-propelled mini-crane with accompanying operator

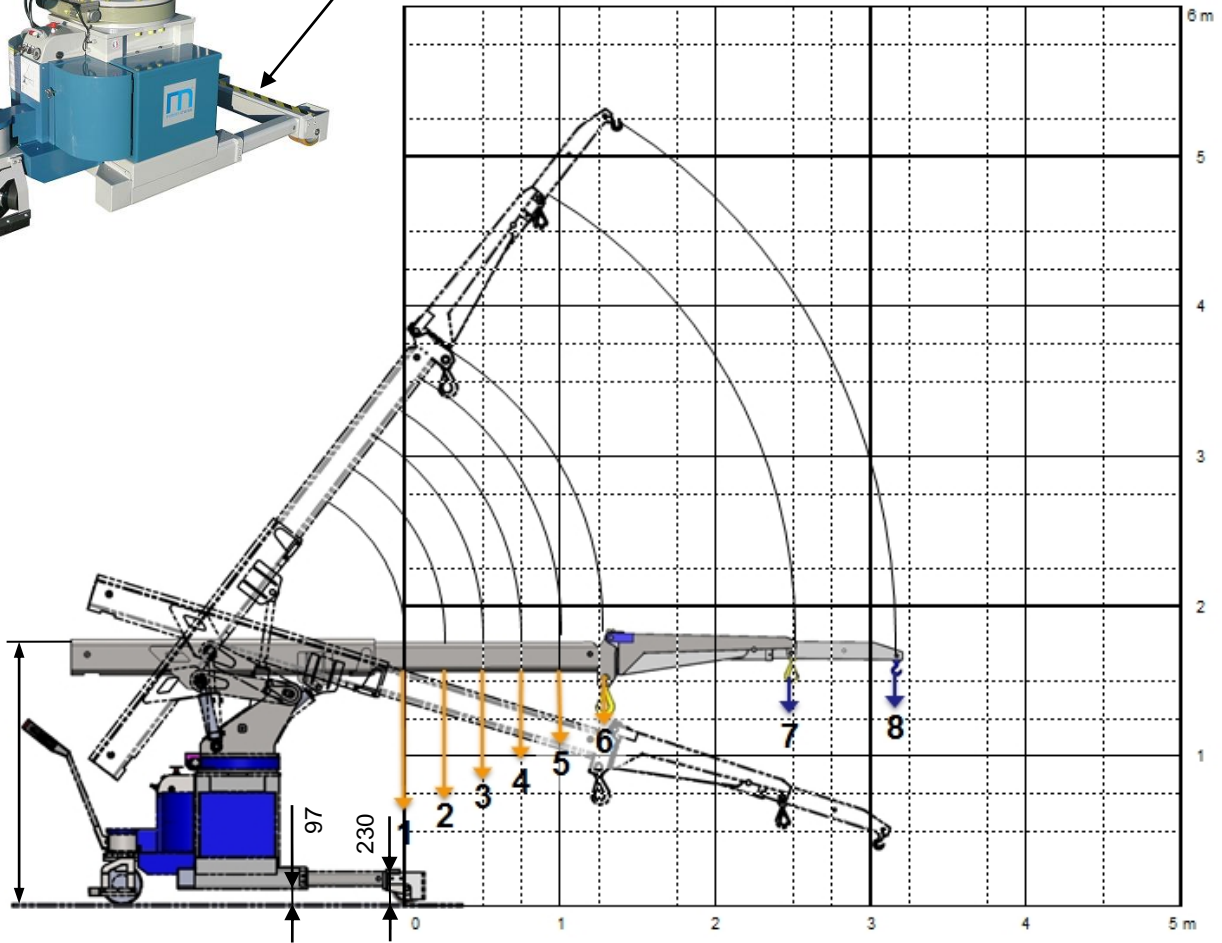


Anti-rocking support zone



Wired remote control 3 to 4 axes with emergency stop

1662 without the slewing ring option
1769 with the slewing ring option



	1	2	3	4	5	6	7	8
Distance front wheels / axle (mm) Variable wheelbase OUT	0	250	500	750	1000	1300	2500	3200
Capacity with Variable wheelbase OUT (kg)	2160	1680	1420	1240	1110	950	430	330
Distance front wheels / axle (mm) Variable wheelbase IN	500	750	1000	1250	1500	1750	3000	3700
Capacity with Variable wheelbase IN (kg)	2160	1080	750	590	460	360	150	125