

MINIMOB 03 RTC Technical sheet

Manual shop mini crane

2 pages

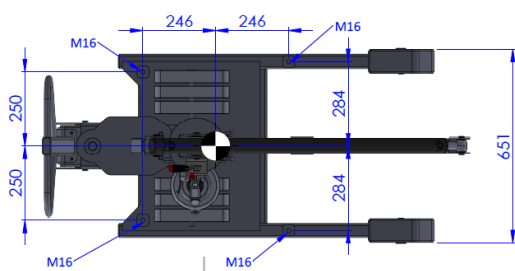
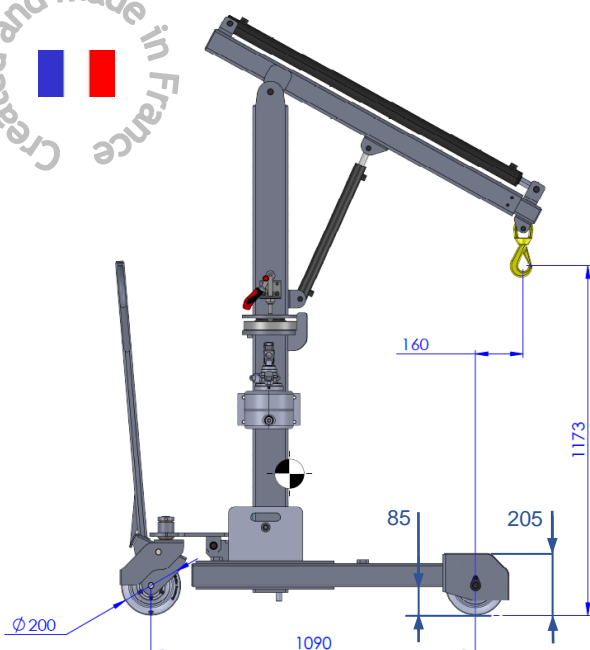
The MINIMOB 03 RTC is a **compact** mobile shop mini crane with a rated lifting capacity of **315 kg**. Its telescopic boom can be extended up to 1.25 m. An optional 18° manual slewing ring is available for precise adjustment of the hook's lateral position.

As with all the mini cranes developed by Mobilev Cranes, the MINIMOB 03 RTC is equipped with an **anti-tilt device** for enhanced safety.

The counterweights are removable to facilitate transport operations.



Created and made in France

Technical specifications



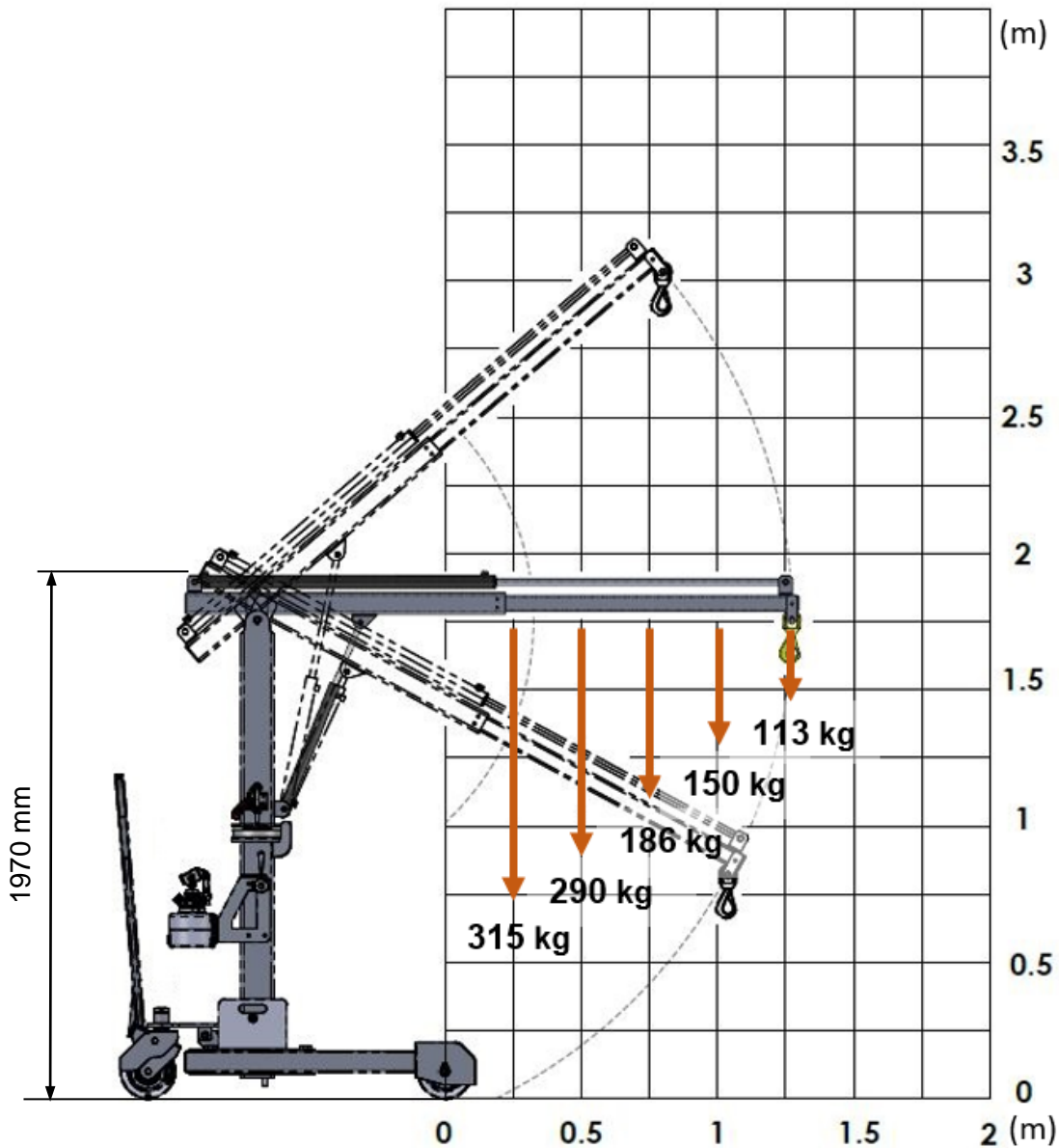
Max. load	315 kg
Unladen weight (with counterweights)	305 kg
Unladen weight (without counterweights)	185 kg
Max. lifting height	2.90 m
Min. lifting height	0.75 m
Wheelbase	1.09 m
Ground clearance	85 mm
Overall length (folded + brake applied)	1.30 m
Overall width	0.65 m
2 front wheels with rubber tread.....	Ø 200x50 mm
2 rear wheels with rubber tread.....	Ø 200x50 mm

Standard features

- Drawbar-activated wheel locking
- Overturn protection
- 6 removable counterweights (20 kg)
- 4-position telescopic boom
- 4 threaded holes (M16) for mounting lifting or tie-down rings
- Cylinder selection valve

Options

- Hydraulic telescope
- 18° manual slewing ring



	No. of pump strokes Double-acting, single stroke*
Lifting cylinder extended	17
Lifting cylinder retracted	11
Telescope cylinder extended	67
Telescope cylinder retracted	41

(*) the hydraulic oil is sent into the cylinder only when the pump arm is pulled.