

# MINIMOB 06 R Technical sheet

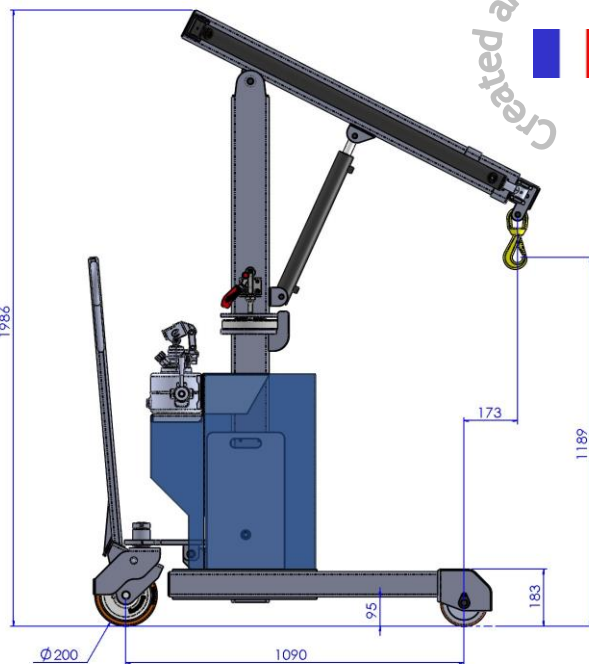
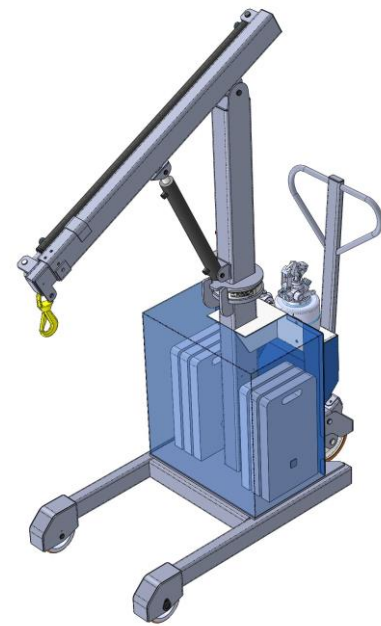
Manual workshop mini crane

2 pages

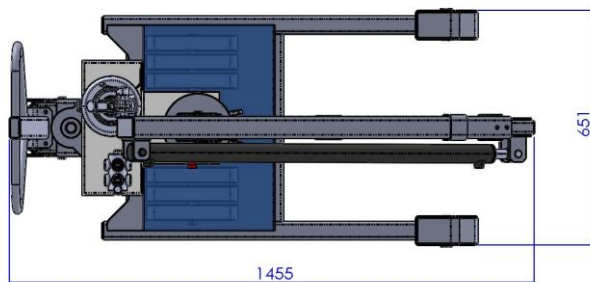
The MINIMOB 06 R is a **compact** mobile workshop mini crane with a rated lifting capacity of **600 kg**. Its telescopic boom can be extended up to 1.27 m. An optional 18° manual slewing ring is available for precise adjustment of the hook's lateral position.

As with all the mini cranes developed by Mobilev Cranes, the MINIMOB 06 R is equipped with an **anti-tilt device** for enhanced safety.

The counterweights are removable to facilitate transport operations.



Created and made in France



## Technical specifications



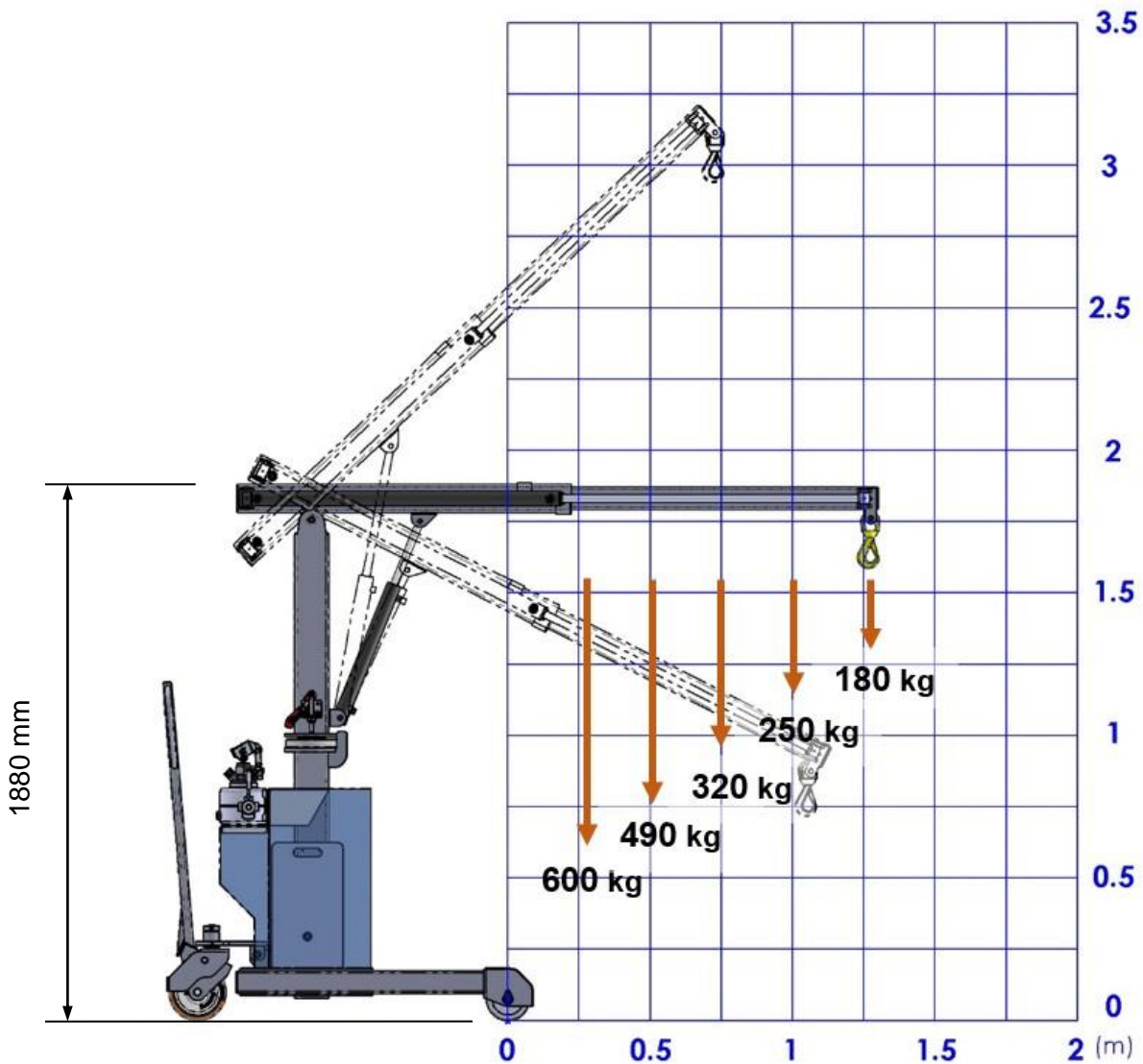
Max. load .....	600 kg
Unladen weight (with counterweights) .....	460 kg
Unladen weight (without counterweights) ..	220 kg
Max. lifting height .....	2,90 m
Min. lifting height .....	0,75 m
Wheelbase .....	1,09 m
Ground clearance .....	95 mm
Overall length .....	1,45 m
Overall width .....	0,65 m
2 polyurethane coating front wheels. Ø 150x50 mm	
2 polyurethane coating rear wheels. Ø 200x50 mm	

## Standard features

- Rear wheel drum brake
- Anti-tilt system
- 6 removable counterweights (40kg)
- 4-position telescopic boom
- Cylinder selection valve

## Options

- Hydraulic telescope
- 18° manual slewing ring
- Painted steel or stainless steel body



	No. of pump strokes Double-acting, single stroke *
Lifting cylinder extended	27
Lifting cylinder retracted	16
Telescope cylinder extended	67
Telescope cylinder retracted	41

(\*) the hydraulic oil is sent into cylinder only when the pump arm is pulled.