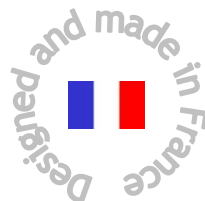
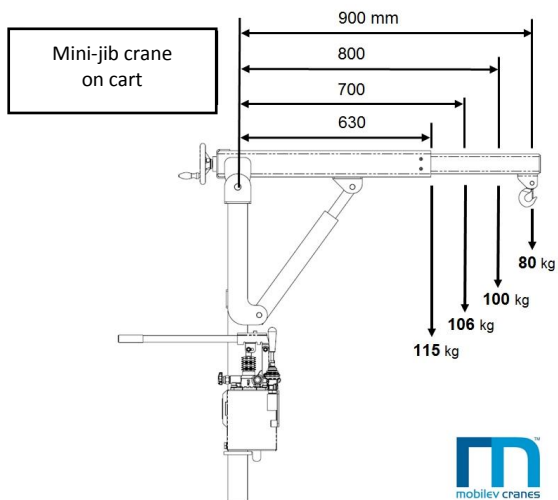
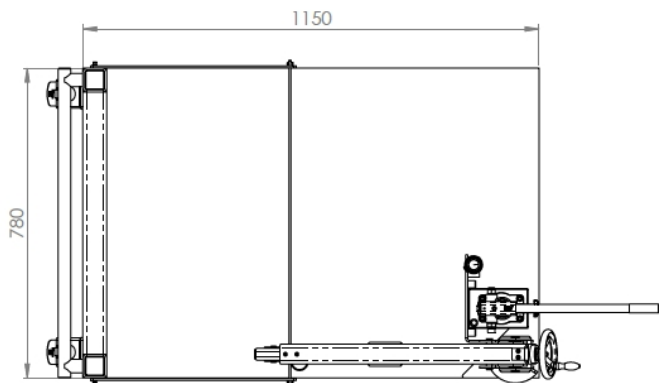
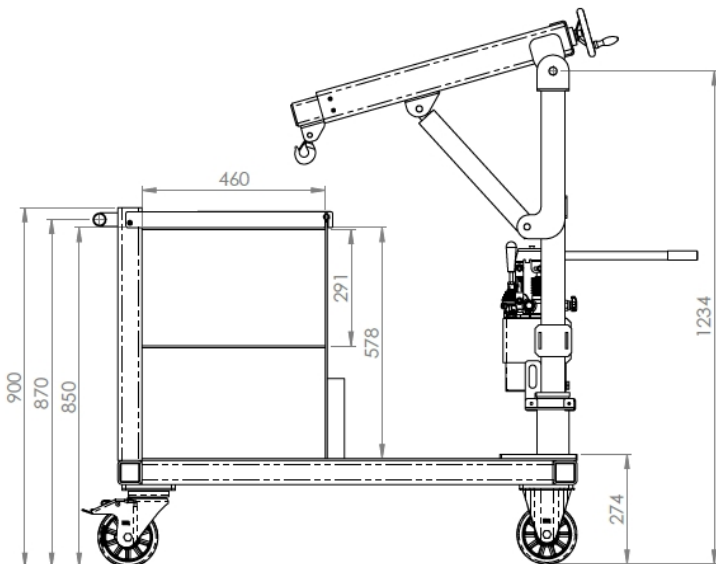




Technical sheet

115 kg Mini-Jib Crane on cart

2 pages



Technical specifications



Max. load	115 kg
Unladen weight	260 kg
Lift height, tel. extended (min./max.) ...	1.00 m/1.85 m
Lift height, tel. retracted (min./max.)	1.07 m/1.67 m
Wheelbase	1.06 m
Ground clearance	210 mm
Overall length	1.25 m
Overall width	0.79 m
2 PU* front wheels	Ø 150x50 mm
2 PU* rear wheels	Ø 150x50 mm

Standard equipment

- 2 swivelling wheels with parking brake
- Telescope travel 270 mm; adjustable by crank
- Single-action cylinder with parachute valve
- Dual-action manual pump with outlet valve
- Lowering control lever

* PU: Non-marking polyurethane



Mobilev Cranes
 PA des Grandes Terres
 1305 route de Lozanne
 69 380 DOMMARTIN - FRANCE

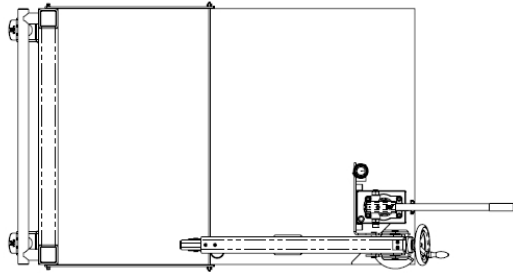
Tél: +33 (0)4 72 88 21 05

E-mail: mobilev@mobilev-cranes.com
www.mobilev-cranes.com

Technical sheet

115 kg Mini-Jib Crane on cart

POSITION 0°



POSITION 210°

